

# COMPANY CONNECT

TUESDAY 12/12/2023

HANCOCK INDUSTRIAL LIMITED



As we approach the end of the year, we want to express our sincere gratitude for your unwavering support and trust in Hancock Industrial Ltd. It has been a pleasure serving you throughout the year.

Your orders have been the cornerstone of our success, and we truly appreciate the confidence you have placed in us. We look forward to another year of serving you with dedication, innovation and excellence. May the upcoming year bring prosperity and joy to you and your loved ones.

Wishing you a wonderful holiday season and a Happy New Year.

Merry Christmas & Happy New Year

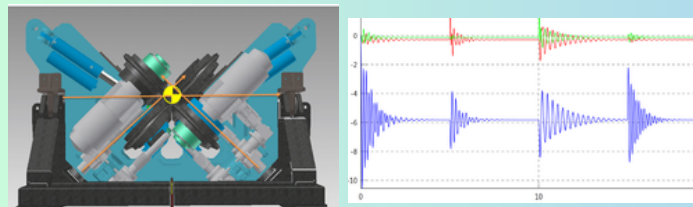
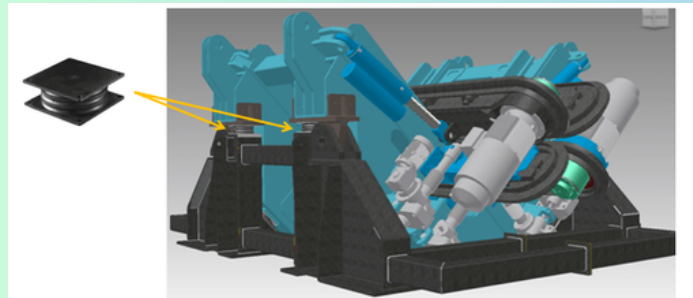
Thank you for your business in 2023!! We look forward to working with you again in 2024

Our Company will be observing Christmas holidays from 22nd December, 2023 – 5th January, 2024.  
Reopening: January 8th, 2024

For urgent assistance during this period please phone John on 0210 755 621 and leave a message. Emails and phone messages be cleared periodically.



119 Wellesley Street West, CBD, Auckland  
www.hancock.net.nz  
Ph: (09) 373-2760 Mts: 0210 755 621  
Email: sales@ Hancock.net.nz



## ANTI VIBRATION MOUNTS AT THE HEIGHT OF THE CENTRE OF GRAVITY

Anti vibration mounts are often installed beneath vibrating machines, in many cases where there is a fixing hole on a frame. Although this may be a practical and fast way of installing the anti vibration mounts, special caution must be considered so the stability of the suspended is assured.

An easy way to solve this situation is by placing the anti vibration mounts at the height of the centre of gravity. This way we will assure that the suspended element will not be its own natural frequency.

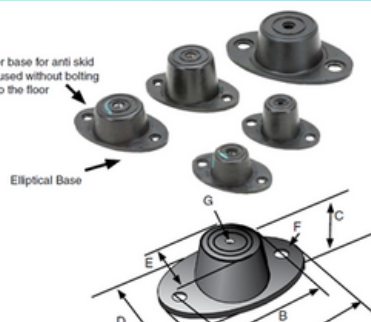
## Client Spotlight: Celebrating Exceptional Service Journey

### CONFLEX ISOLATORS

Conflex isolators are designed to meet almost all machinery installations within the load range, available in four rubber hardnesses they are the versatile answer to your mobile or static vibration problems.

Rubber base for anti skid when used without bolting base to the floor

Elliptical Base



“At Hancock Industrial, we take immense pride in delivering not just products but an unparalleled end-to-end service experience. Recently, we had the pleasure of serving our client “Jacobs” and their feedback has filled our sails with joy.

In this section, we are delighted to share the heartfelt words of appreciation from “Jacobs” for suggesting conflex isolators for a 54kg new heat pump for minimizing the noise.

“Perfect excellent service thank you John”.

We extend our gratitude to this client for their kind words. It is our privilege to serve and collaborate with such outstanding partners.



“Exciting news! We’re thrilled to announce an exclusive limited-time offer. Enjoy a 30% discount on “AMCBSB95-60 M12 (BSB95-60 M12 Mount #135317)” & “AMCBSB95-40 M12 (BSB95-40 M12 Mount #135315)”.

### “Acoustics 2023 Sydney”

Hancock is presently participating in the conference.

“Capturing a defining moment at the Acoustics 2023 Sydney conference with our esteemed partners ‘AMC’ and ‘Getzner’ - a harmonious collaboration echoing innovation and excellence.”

